
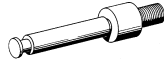

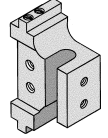



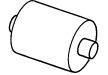


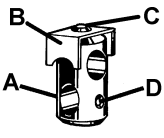

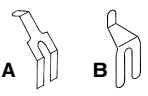
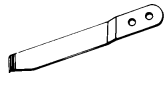
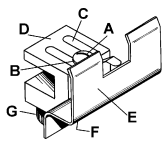
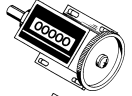
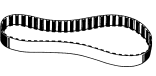


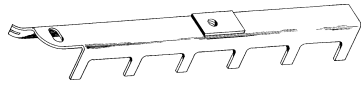



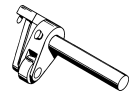

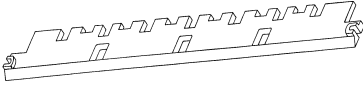



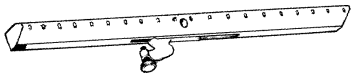

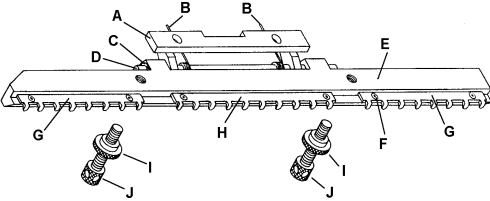


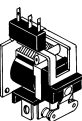








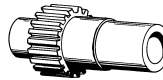
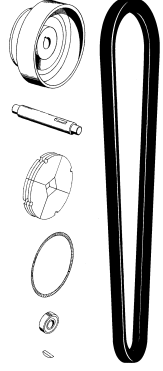
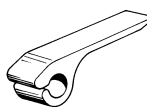
Replacement parts for: CHIEF 15, 115, 215, 17, 117, 217, 20, 22, 25/25 PROF,

	PART NO.#	PRICE		PART NO.#	PRICE
	VARIABLE SPEED PULLEY 15, 17 115, 215, 117, 217	P-1629 162.90 (Gestetner) G-63E P-1627 151.95 (Gestetner) G-17E			LIFTING GEAR STUD For feeder ratchet 15, 115, 215, 117, 217 4" wide w/wide shoulder P-4519 32.90 4" wide w/thin shoulder P-4542 24.95
	V-BELTS 15, 17 (Motor to pump) 37" 15, 17 (Clutch to motor) 44" 15 (Clutch to drive shaft) 36" 17 (Clutch to drive shaft) 38"	P-4906 11.95 (Gestetner) G-6C P-4912 11.95 P-4905 9.90 P-4907 11.95 (Gestetner) G-27E			BLOWER TUBE BRACKET P-15168 39.90 (Gestetner) G-119G,G-128G *** Designed to fit both left and right hand sides.
	RUBBER SUCTION FOOT - X-series & Super Chief 2000 SUCKER FOOT (CUP)	P-5225 69.90 P-5204 1.70			UPPER PULLOUT FEED ROLLER P-15125 27.95 (Gestetner) G-17H
	SUCKER FOOT	P-5201 6.50 (Gestetner) G-229G			DOUBLE SHEET EJECTION ROLLER P-15273 9.90 (Gestetner) G-19H
	FLAT SUCKER FOOT	P-1552 .75			PAPER RETAINER Center P-15433 24.90 (Gestetner) G-11S
	SUCKER TUBE HOLDER ASSEMBLY New style 15, 17 (A) Holder (B) Retainer clip (C) Screw (D) Set screw	P-15259 36.90 (Gestetner) G-16G P-15166 26.90 P-15227 6.95 P-137 .50 P-864 .50			CONVEYOR TAPE All models Cloth P-3900 24.90 <i>Note: Tension can be adjusted by weights under conveyor.</i>
	SHEET SEPARATOR (A) 15, 17 (B) X-Series & Super Chief	P-15114 .95 P-52114 .95			JOGGER SIDE GUIDE FEATHER SPRING Non-operators side R.H. P-15477 3.95 (Gestetner) G-16T Operators side L.H. P-15471 3.95 (Gestetner) G-11T
	SHEET SEPARATOR ASSEMBLY Complete (A) Screw (B) Washer (C) Sheet separator (D) Block (E) Plate (F) Screw (G) Thumb screw	P-50112 61.90 P-293 .40 P-573 .40 P-52114 .95 P-50113 32.90 P-50121 14.90 P-215 .40 P-1019 5.95			COUNTER (no lever) 15 P-36954 41.90 (Gestetner) G-20K 17 P-17954 79.90
	TIMING BELTS For feeder on X-Series & Super Chief 2000. Also for Davidson 500, 700 3/4" wide X 22-1/2" long 3/8" wide X 15" long	P-1662 21.90 P-4965 14.95			COUNTER ARM P-15956 32.90 (Gestetner) G-19K
	ELEVATOR HANDLE ASSEMBLY Table raise X-Series & Super Chief 2000	P-50955 89.90			PAPER STOP By impression cylinder P-15383 79.90
	KNOB STUD For chain delivery & feed table handwheel	P-4521 12.95			ADJUSTING ARM For paper stop P-15853 32.95
	FEEDER GUIDE Operators side & non-operators side	P-15048 19.95			PAPER STOP ARM ASSEMBLY P-15399 126.95
					FEELER FINGER P-15141 2.30 (Gestetner) G-55R (Gestetner) G-OW142

THIS IS JUST A SAMPLE OF OUR TOTAL INVENTORY


126, Super Chief 2000, X-Series • GESTETNER 115/117G, 211, 213, 311, 312, 313

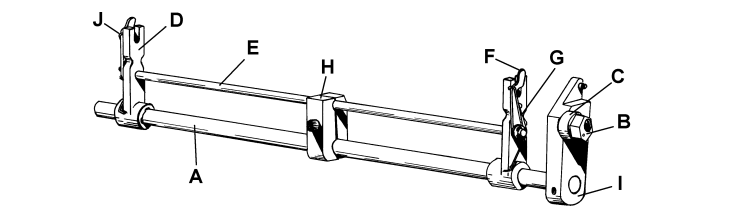
	PART #	PRICE
		
PAPER DEFLECTOR	P-15241	34.90
SCREW	(Gestetner) G-52R P-44	.40
	GRIPPER LEVER ASSEMBLY P-15207 (Gestetner) G-3M & G-E14A059	104.90
	GRIPPER FINGER SUPPORT ASSEMBLY P-15187	5.90
	CLAMP LOCK For plate cylinder P-115807	9.90
	RETAINING BAR (20 point) Master cylinder 15N.S. & 17 O.S./N.S.	P-15746 82.90
	TENSION GUIDE ARM SCREW For plate cylinder P-11468	12.90
	TAIL CLAMP ASSEMBLY - X-Series & Super Chief 2000	
	Complete	P-255367 259.90
	(A) Clamp bracket	P-255341 139.90
	(B) Spring	P-255724 1.45
	(C) Retaining ring	P-669 .40
	(D) Shaft	P-255793 32.95
	(E) Pin bar clamp	P-255341 139.90
	(F) Screw	P-836 .40
	(G) Pin bar (8 point)	P-255323 44.90
	(H) Pin bar (10 point)	P-255739 44.90
	(I) Thumb nut	P-11549 7.95
	(J) Thumb screw	P-11498 12.90
	DRIVE & PUMP TOGGLE SWITCH 15, 17 O.S. & N.S.	P-15305 24.90
	DRIVE & PUMP ROCKER SWITCH P-15826	39.90
	RELAY P-4833	149.90

	PART #	PRICE
	PLATE CYLINDER GEAR 15, 17, (14-1/2° PA)	P-15313 199.90 (Gestetner) G-3P
	115, 117, 215, 217 (20° PA)	P-115313 199.90
	BLANKET CYLINDER GEAR 15, 17 (14-1/2° PA)	P-15214 199.90 (Gestetner) G-3N
	115, 117, 215, 217 (20° PA)	P-115214 162.90
	IMPRESSION CYLINDER GEAR 15, 17 (14-1/2° PA)	P-15191 159.90 (Gestetner) G-10M
	115, 117, 215, 217 (20° PA)	P-115191 162.90
	SPRING ASSEMBLY Impression cylinder arm 15, 17 X-Series & Super Chief 2000	
	Complete	P-15205 17.95
	Clip	P-6088 2.50
	Spring	P-15213 6.95
	DRIVE SHAFT 15, 17	P-15583 64.95
	115, 117, 215, 217	P-115583 129.90
	INTERMEDIATE DRIVE GEAR 15,17 (14-1/2° PA)	P-15865 67.90 (Gestetner) G-64R
	115,117,215,217 (20° PA)	P-15457 62.90 (Gestetner) G-E14H115,G-58L P-115854 59.90
	DRIVE GEAR For X-Series	P-255854 129.90
	DRIVE GEAR For Super Chief 2000	P-200854 129.90
	CLUTCH PULLEY REPAIR KIT 15, 17, 115, 117, 215, 217	
	Complete	P-15564 123.95
	Pulley cover	P-15617 59.90 (Gestetner) G-35E
	Shaft	P-15614 19.90 (Gestetner) G-33E
	Weights (set of 4 only)	P-12593 59.90 (Gestetner) G-37E
	V-Belt - 44"	P-4912 11.95
	V-Belt - 37"	P-4906 11.95 (Gestetner) G-6C
	Spring	P-15591 3.90 (Gestetner) G-36E
	Bearing (need 2)	P-774 6.90 (Gestetner) G-31E
	Key	P-550 .40 (Gestetner) G-QW062
	WATER CAM ASSEMBLY Complete	P-15262 89.95 (Gestetner) G-170UA
	Cam	P-15363 79.90 (Gestetner) G-9U, G-170U
	Water pawl	P-15268 26.90 (Gestetner) G-163U
	Pawl spring	P-15267 2.95 (Gestetner) G-L004058
	Ink pawl	P-15355 22.95 (Gestetner) G-66V
	WATER STOP 15, 17, 115, 117, 215, 217	
	X-Series & Super Chief 2000	P-30379 19.90 1st. & 2nd. head
	(Uses 16)	P-5096 8.95
	Davidson 901 (Uses 10)	C-199-006721D 22.90


THIS IS JUST A SAMPLE OF OUR TOTAL INVENTORY

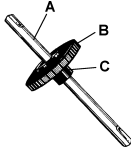
Replacement parts for: CHIEF 15, 115, 215, 17, 117, 217, 20, 22, 25/25 PROF,

	PART NO.#	PRICE
	FRICITION BEARING For water fountain roller 15, 17 P-5525 (Gestetner) G-157U	8.95




WATER DUCTOR ASSEMBLY - 15, 115, 215, 17, 117, 217 Complete	P-15424 (Gestetner) G-443	132.95
(A) Shaft	P-15540 (Gestetner) G-161U-S	31.90
(B) Stud	P-4500	19.90
(C) Cam roller	P-1450	5.90
(D) Arm	P-15607 (Gestetner) G-21U2	27.90
(E) Yoke shaft	P-15340 (Gestetner) G-2042	19.90
(F) Latch	P-15551 (Gestetner) G-60U, G-91V	3.95
(G) L.H. Spring	P-15336 (Gestetner) G-62U, G-93V	1.95
(H) Center pivot	P-15322 (Gestetner) G-161UP	24.90
(I) Lever arm	P-15344 (Gestetner) G-83VA	39.90
(J) R.H. Spring	P-15331 (Gestetner) G-61U, G-0U56	4.95

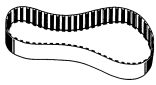
	WASH UP BLADE Black rubber 15 O.S. (11" X 11/16") Tan 15, 17, (11-3/8" X 1-1/2") 215, 217 (11 X 2-1/8") XL, Super Chief 1st. head (13-3/4" X 1-1/8") XL, Super Chief 2nd. head (13-3/4" X 2-1/16")	C-2167H-32 C-2171D-524 P-30309 P-30238 P-30217	9.95 12.95 49.95 69.15 51.00
---	--	--	--


	WATER FOUNTAIN SHAFT & RATCHET 15, 17 115, 117, 215, 217 (A) Shaft 15, 17 (A) Shaft 115, 117 215, 217 (B) Ratchet (C) Pin	P-15402 P-115402 P-15371 P-115371 P-15370 P-381	64.95 64.95 22.90 29.90 46.90 .40
--	--	--	--

	SHAFT For water form roller 15, 17, 115, 117, 215, 217	P-15378 (Gestetner) G-150U	44.90
---	--	-------------------------------	-------


	WATER DUCTOR LEVER SPRING	P-15549	4.95
--	----------------------------------	---------	------

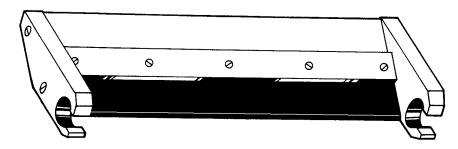
	CAM ROLLER Water oscillator arm	P-5831 (Gestetner) G-129U	34.95
--	--	------------------------------	-------

	TIMING BELT 17, 117 (water) 215, 217 (second water head)	P-1660 (Gestetner) G-5R2 P-1654	12.90 9.95
--	---	---------------------------------------	---------------

	PART NO.#	PRICE	
	WORM GEAR ASSEMBLY Inker unit	P-15446 (Gestetner) G-192V	89.90

	INK IDLER GEAR	P-15455	62.90
---	-----------------------	---------	-------

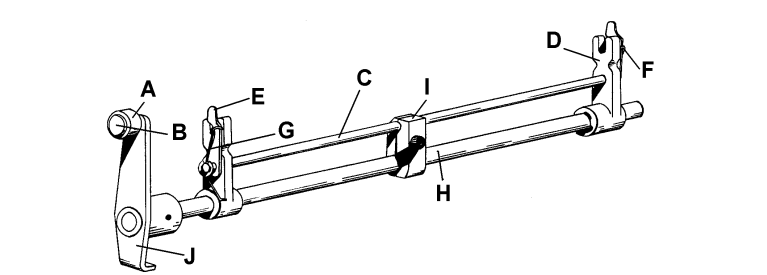
	OSCILLATING WORM Ink & water	P-15464 (Gestetner) G-134V	61.90
	DOG Ink	P-15463 (Gestetner) G-138V	39.90



*** DESIGNED WITH REPLACEABLE END CAPS. INK FOUNTAIN ASSEMBLY 15, 115, 215 - (Gestetner) G-E31H477 Fountain only - (Gestetner) G-70V	P-15071 P-15072	224.90 149.90
INK FOUNTAIN ASSEMBLY With deeper ink well for 50% more ink capacity. 17, 117, 217 Fountain only - (Gestetner) G-3V-3	P-17766 P-17789	196.90 157.90
THUMB SCREW	P-11474	12.90





INK FOUNTAIN BLADE 15, 115, 215 17, 117, 217 Bigger blade for deeper ink well.	P-15079 (Gestetner) G-73V P-17233 (Gestetner) G-11V	41.95 39.90
Note: * Due to the variations of ink fountains it may be necessary to file the side of the blade stamped "O" for a perfect fit.		



INK DUCTOR ASSEMBLY Complete	P-15690	109.95
(A) Cam roller	P-1431 (Gestetner) G-85V P-8096 (Gestetner) G-86V P-15550 (Gestetner) G-89V P-15572 (Gestetner) G-F14V012	5.90 7.70 19.95 19.90 3.95
(B) Stud	P-15551 (Gestetner) G-60U	4.95
(C) Yoke shaft	P-15331 (Gestetner) G-61U	4.95
(D) Arm	P-15336 (Gestetner) G-62U	1.95
(E) Latch	P-15332 (Gestetner) G-161UP	38.95
(F) R.H. Spring	P-15322 (Gestetner) G-161UP	24.90
(G) L.H. Spring	P-15334 (Gestetner) G-83VA	46.90
(H) Shaft		
(I) Center pivot		
(J) Lever arm		

THIS IS JUST A SAMPLE OF OUR TOTAL INVENTORY

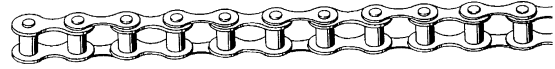
	PART #	PRICE
		
CONNECTING LINK BAR For chain delivery 15, 17, 115, 117, 215, 217	P-151596 (Gestetner) G-120CP	26.90

	ARM EXTENSION ASSEMBLY For chain pile delivery 15, 17, 115, 117, 215, 217	P-151597	37.90
--	---	----------	-------

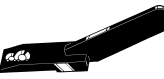
	DELIVERY ROLL GRIPPER	P-15644 (Gestetner) G-OW138 (Gestetner) G-33Q	2.95
--	------------------------------	---	------

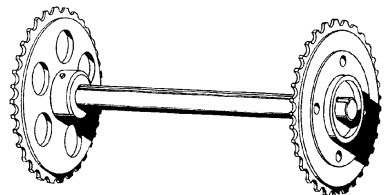
	BACK STOP STRIPPER For chain delivery	P-152280	3.90
--	--	----------	------

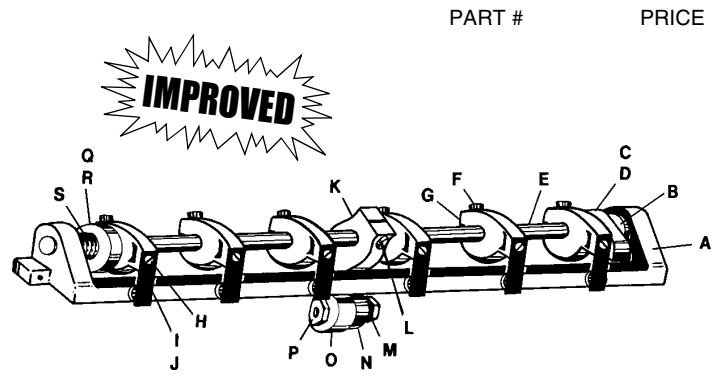
	GRIPPER SUPPORT	P-15586	8.90
--	------------------------	---------	------

	GRIPPER CHAINS (set of 2) 15, 17, 115, 117, (Super Chief 2000 & X-Series 1st. head)	P-8945 (Gestetner) G-548C3 G-E10A323	59.90
	215, 217, (X-Series & Super Chief 2nd. head) 22	P-8949 P-8969	149.90 59.90

	CONNECTING LINK	P-8700	4.95
--	------------------------	--------	------

	PICK UP CAM ASSEMBLY To open gripper bars	P-151240 (Gestetner) G-511C3	37.90
--	--	---------------------------------	-------

	SPROCKET & SHAFT ASSEMBLY Chain delivery 15, 17, 115, 117, 215, 217	P-151160 (Gestetner) G-113CP G-E10A157, G-E10A287	399.90
---	---	---	--------



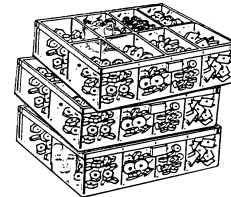
GRIPPER BAR ASSEMBLY

★★★ Anvil is made of reinforced cast zinc which prevents bowing and lasts longer.

Complete	P-150990 (Gestetner) G-125CP	174.90
(A) Anvil	P-151090 (Gestetner) G-126CP	84.90
(B) Retaining ring	P-670	.40
** Gripper shaft assembly (C) - (E)	P-151010	44.90
(C) Stop block	P-151063	16.90
(D) Roll pin	P-376	.40
(E) Shaft	P-151060	31.90
(F) Cap screw	P-40	.40
(G) Gripper holder	P-151061	16.90
(H) Screw	P-187 (Gestetner) G-HS158	.40
(I) Hold down clip	P-151062 (Gestetner) G-HW307	1.50
(J) Gripper finger	P-151020 (Gestetner) G-HW306	2.95
** Gripper operating lever assembly (K) - (P)	P-151040	37.95
(K) Gripper operating lever	P-151041 (Gestetner) G-E10A173	29.90
(L) Cap screw	P-39 (Gestetner) G-CS420	.40
(M) Hex nut	P-479 (Gestetner) G-L0HT051	.40
(N) Lock washer	P-627	.40
(O) Cam roller	P-1424 (Gestetner) G-L0HW309	6.50
(P) Shoulder screw	P-8037 (Gestetner) G-L0HS159	4.90
(Q) Collar (comes with set screw)	P-98137	9.95
(R) Set screw	P-2	.40
(S) Spring	P-151080 (Gestetner) G-L0HU124	.95

GRIPPER BAR REPAIR KIT - Super Chief 2000 & X-Series
Consists of (B - D, F - P, Q, & S)

P-30736 199.90



HAS YOUR PRESS EVER BEEN DOWN DUE TO A SIMPLE PIN OR SPRING?
YOU CAN ELIMINATE COSTLY DOWN TIME IN MINUTES WITH YOUR OWN EMERGENCY KIT DESIGNED TO CONVENIENTLY FIT IN YOUR DESK DRAWER.

EACH KIT COMES IN IT'S OWN MULTI-COMPARTMENT RECLOSABLE BOX FOR QUICK, EASY SELECTION AND STORAGE. PART NUMBERS FOR THE INDIVIDUAL ITEMS ARE ALSO INCLUDED.

NUT KIT	P-1763 - 60 pcs.	27.95
WASHER KIT	P-1764 - 68 pcs.	26.95
SCREW KIT	P-1760 - 376 Pcs.	96.95
RING KIT	P-1761 - 100 pcs.	29.95
PIN KIT	P-1762 - 180 pcs.	59.95
SPRING KIT	P-30326 - 96 pcs.	99.90
MASTER KIT (Consists of all of the above)	P-1765 - 880 pcs.	234.95