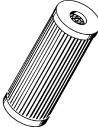

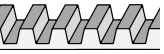
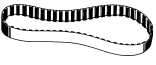



Replacement parts for: HEIDELBERG

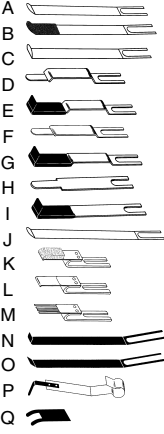
	PART NO.#	PRICE	
	FILTER CARTRIDGE		
	**For TL6DV Pump	P-1147HT6	31.90
	**For TL12DV Pump	P-1147HT12	31.90
	For TL61TV Pump	P-1147HT61	26.95
	For TL81TV Pump	P-1147HT81	18.95
	Filter Cartridge - Heidelberg	P-9425	74.90
Filter Cartridge - DCLF 60/80P-9426		14.90	

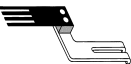
	PART NO.#	PRICE	
	RIBBED V-BELTS		
	TOK - Drive motor (610mm)	P-3780	14.90
	TOK - Drive shaft (762mm)	P-3783	32.90
	GTO 46 - Drive motor (1168mm)	P-3785	56.90
	GTO 52 - Drive motor (1321mm)	P-3788	79.90
	GTO 52 Z/P, V/P - Drive motor (1016mm)	P-3790	89.90
GTO 52 Z/P, V/P - Drive motor (1397mm)	P-3791	84.95	


	PART NO.#	PRICE	
	COG V-BELT		
	GTO 52 - Drive motor	P-3716	77.95
	Windmill 10 X 15 - Main drive	P-3893	179.90

	PART NO.#	PRICE	
	TIMING BELTS - TOK		
	STACK-LOAD MASTER FEEDP-3810		18.95
	MASTER FEED TABLE	P-1697	17.95


	PART NO.#	PRICE	
	FEED TAPE		
	SPEEDMASTER 72 & 102	P-3918	24.95
	MO, SORK	P-3927	13.90

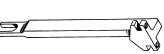
	PART NO.#	PRICE	
	SHEET SEPARATORS		
	(A) KORD (45°)	HE-KØ114	6.90
	(B) KORD (45° with pad)	HE-KØ420	9.90
	(C) KORD (90°)	HE-KØ117	6.90
	(D) K-Series	HE-KS117	8.90
	(E) K-Series w/hood	HE-KS114	9.90
	(F) GTO 46	HE-46117	8.90
	(G) GTO 46 (with hood)	HE-46114	9.90
	(H) GTO 52	HE-52117	8.90
	(I) GTO 52 (with hood)	HE-52118	9.90
	(J) GTO 52 (45°)	HE-52114	2.90
	(K) M/S Series	HE-SØ117	23.90
	(L) M/S Series	HE-SØ114	23.90
	(M) M/S Series	HE-SØ106	29.90
	(N) SB Series (90°)	HE-SB117	8.90
	(O) SB Series (45°)	HE-SB114	8.90
	(P) WINDMILL	HE-WI114	7.95
(Q) WINDMILL	HE-WI117	3.90	


	PART NO.#	PRICE	
	SHEET SEPARATOR - Stream feed		
	GTO (Operator Side)	HE-52106	69.90
	GTO (Drive Side)	HE-52107	69.90

	PART NO.#	PRICE
	BRUSH - M, S, SPEEDMASTER 102	
		HE-SØ107

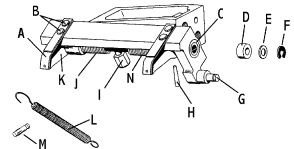
	PART NO.#	PRICE
	SHEET SEPARATOR BAR	
	QUICKMASTER 46 & 46DI	HE-46117QM

	PART NO.#	PRICE
	RUBBER HOOD For sheet separator HE-46117	
		HE-46114R


	PART NO.#	PRICE
	SHEET SEPARATOR HOLDER - L.H. & R.H.	
	KORA, KORD, KORS	HE-KØRD113
	*** "UNIVERSAL" - WORKS ON BOTH SIDES OF FEEDER.	


	PART NO.#	PRICE
	SHEET SEPARATOR HOLDER	
	KOR	HE-KØR113

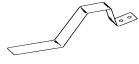
	PART NO.#	PRICE	
	BRUSH WHEELS For feeder section.		
	K, M, S, SPEEDMASTER	HE-SR420	16.90
	K, M, S, SPEEDMASTER for cardboard stock	HE-SR500	14.90


	PART NO.#	PRICE	
	FEED GRIPPER COMPLETE - GTO 46		
	COMPLETE	HE-46511	764.90
	(A) Gripper finger	HE-46212	14.95
	(B) Hex head screw	P-2088	.45
	(C) Needle bearing	P-3466	12.90
	(D) Cam roller	P-6838	26.90
	(E) Flat washer	P-595	.40
	(F) E-ring	P-2759	.40
	(G) Stud-for cam roller	P-7943	19.90
	(H) Taper pin	P-431	.50
	(I) Connecting piece	P-11923	26.90
	(J) Torsion spring	HE-46212-T	3.90
	(K) Gripper pad	not sold alone	-----
	(L) Spring	HE-46212-E	16.90
(M) Grooved pin	P-3037	.85	

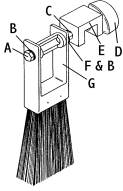
NOTE: Torsion spring "N" is obsolete.
Spring "L" & grooved pin "M" are used in place of it.

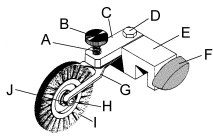
	PART NO.#	PRICE	
	SUCKER FEET		
	(A) GTO	P-5222	.85
	(B) HEIDELBERG/KLUGE (7/8" O.D.)	P-5210	1.80
	(B) HEIDELBERG (1-1/16" O.D.)	P-7556	1.45
	(C) HEIDELBERG (5/32" I.D. x 1" O.D.)	P-5223	.70
(C) WINDMILL (5/32" I.D. x 7/8" O.D.)	P-7566	.30	
(C) WINDMILL (1/8" I.D. x 29/32 O.D.)	P-5234	.50	
(D) SOR (1-1/4" O.D.)	P-5236	.55	
(D) MO/SOR (1-3/16" O.D.)	P-5240	.55	
(D) MO/SOR (1-1/2" O.D.)	P-5243	.65	
(E) For tissue paper	P-5218	7.95	

	PART NO.#	PRICE
	LIFTING SUCKER - M-Series, S-Series, Spdmstr.	
		HE-102174

	PART NO.#	PRICE
	SPRING GUIDE (TONGUE) For conveyor	
	K-series	HE-KØR420

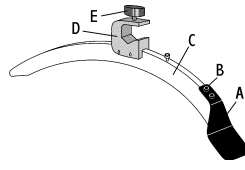
	PART NO.#	PRICE	
	HOLDER ASSEMBLY - GTO 46/52, WINDMILL PLATENS		
	COMPLETE	HE-WI434	54.90
	Replacement roll pin	P-2839	.40
	Replacement thumb screw	P-2022	3.95

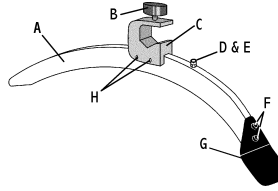
	PART NO.#	PRICE	
	SHEET STEADIER BRUSH - S-SERIES		
	Complete	HE-SR467	189.90
	(A) Hex head screw	P-2077	.50
	(B) Flat washer	P-581	.40
	(C) Nut	P-2603	.40
	(D) Thumb screw	P-2924	9.95
	(E) Bracket only	HE-SR485	29.90
	(F) Spring washer	P-654	.55
(G) Sheet steadier brush	HE-SR475	66.55	

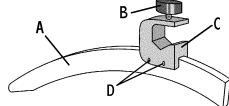
	PART NO.#	PRICE	
	FEEDER BRUSH WHEEL - S-Series, Spdmst. 72/102		
	Complete	HE-SR403	84.90
	(A) Spring	P-12319	1.95
	(B) Thumb screw	P-2903	8.90
	(C) Small bracket	HE-SR498	19.90
	(D) Hex head screw	P-2043	.40
	(E) Large bracket	HE-SR473	34.90
	(F) Thumb screw	P-2924	9.95
	(G) Holder	HE-SR492	39.90
	(H) Pin	HE-4777	7.05
	(I) Brush wheel	HE-SR420	16.90
	(J) E-Ring	P-2753	.40

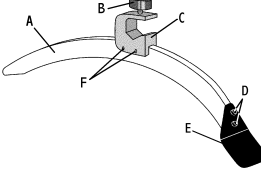
THIS IS JUST A SAMPLE OF OUR TOTAL INVENTORY

Replacement parts for: HEIDELBERG


	PART #	PRICE
		
SHEET SMOOTHERS		
KOR (Complete)	HE-KØR434	109.90
KORD/KORA (Complete)	HE-KØRD434	109.90
KORS (Complete)	HE-KØRS434	114.90
(A) Spring plate (smoother)	HE-KØ779	2.90
(B) Screw	P-2355	.50
(C) Bar only (KOR) **	HE-KØR483	57.90
(C) Bar only (KORD/KORA) **	HE-KØRD483	57.90
(C) Bar only (KORS) **	HE-KØRS483	67.90
(D) Block	HE-KØR359	28.90
(E) Thumb screw	P-2924	9.95


		
SHEET SMOOTHER - GTO 46 (Long)		
Complete	HE-46434	99.90
(A) Bar only	HE-46483	57.90
(B) Thumb screw	P-2924	9.95
(C) Block only	HE-KØR359	28.90
(D) Screw	P-2305	.40
(E) Nut	P-2600	.40
(F) Pan head screw	P-2355	.50
(G) Plate spring	HE-46779	2.30
(H) Roll pin	P-516	.40

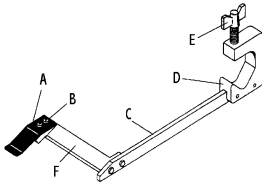
		
SHEET SMOOTHER - GTO 46 (Short)		
Complete	HE-46352	79.90
(A) Bar only	(Not Sold Alone)	-----
(B) Thumb screw	P-2924	9.95
(C) Block only	HE-KØR359	28.90
(D) Roll pin	P-516	.40

		
SHEET SMOOTHER - GTO 52		
Complete	HE-52434	99.90
(A) Bar only	HE-52483	57.90
(B) Thumb screw	P-2924	9.95
(C) Block only	HE-KØR359	28.90
(D) Pan head screw	P-2355	.50
(E) Plate spring	HE-46779	2.30
(F) Roll pin	P-516	.40

Note: ** bars come without holes - you must drill holes to match your existing block.

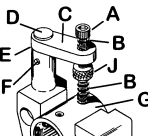
	FRONT GUIDE - For GTO 46/52, K-Series	HE-KØ383	37.90
--	--	----------	-------


	SPRING For feed jogger lever GTO 46 & 52	HE-46392	19.90
--	--	----------	-------

	PART #	PRICE
		
SHEET SMOOTHER - S-Series		
Complete (Operators side)	HE-SØ562	119.90
Complete (Drive side)	HE-SØ568	119.90
(A) Spring plate	HE-SØ779	2.90
(B) Screw	P-10207	.50
(C) Bar only **	HE-SØ483	57.90
(D) Block	HE-SØ359	34.90
(E) Thumb screw	P-2923	9.95
(F) Spacer piece (oper. side)	HE-SØ541	39.90
(F) Spacer piece (drive side)	HE-SØ573	39.90

		
SHEET BRAKE		
Complete	HE-52467	69.90
(A) Strap only	HE-52500	8.90
(B) Block only	HE-52473	28.90
(C) Thumb screw	P-2924	9.95
(D) Stop nut	P-2610	.90
(E) Screw	P-8174	9.90

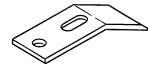
INK DISTRIBUTOR ADJUSTING BLOCKS - K-Series		
Drive side (complete)	HE-KØR494K-DS	199.90
(consists of (A) thru (J) & (K) HE-KØR494-DS.		
Operators side (complete)	HE-KØR494K-OS	199.90
(consists of (A) thru (J) & (K) HE-KØR494-ØS.		

		
BEARING LATCH ASSEMBLY (items (A) thru (F)).		
(A) Screw-Cone point	P-2132	3.95
(B) Spring	HE-46896	.75
(C) Latch	HE-KØR494-L	29.90
(D) Stud	P-7164	17.90
(E) Spring washer	P-11826	2.75
(F) Taper pin	P-431	.50


		
JOURNAL BOX ASSEMBLY (items (G) thru (J)).		
(G) Journal box	HE-KØR494-JB	32.90
(H) Retaining ring	P-2771	.55
(I) Needle bearing	P-2117	9.95
(J) Adjusting screw	P-2913	7.95
(K) Block (drive side)	HE-KØR494-DS	99.90
(K) Block (oper. side)	HE-KØR494-ØS	99.90

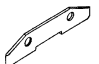
JOURNAL BOX HOUSING ASSY. (items B, G, H, I, & J)	HE-KØR494-JBC	62.90
--	---------------	-------

	TRANSFER GRIPPER - MOZ, SPEEDMASTER, SORK	HE-MT225	31.90
---	--	----------	-------

	IMPRESSION CYLINDER GRIPPER		
SORKZ	HE-SK245	34.95	
SORKS w/urethane	HE-SK237	49.90	
KORD 64	HE-KØR225	39.90	

	IMPRESSION GRIPPER WITH HOLDER - SORKZ		
Gripper only	HE-SK1000	83.90	
Holder (comes w/hardware)	HE-721064	35.00	

	SPINDLE For blanket cylinder	P-27744	42.95
---	-------------------------------------	---------	-------

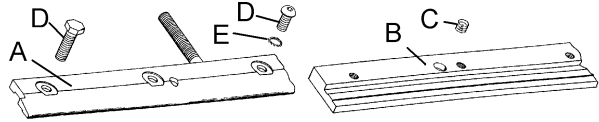
	SHEET STOP For side lays M-Series, S-series, Speedmaster	HE-102100	29.95
---	--	-----------	-------

THIS IS JUST A SAMPLE OF OUR TOTAL INVENTORY

Replacement parts for: HEIDELBERG



FEED DRUM GRIPPER - MO, S-SER., SPDMSTR. 72/102
HE-72225 39.15



BLANKET BAR ASSEMBLIES

	PART NO.#	PRICE
COMPLETE (GTO 46)	HE-46252	299.90
COMPLETE (GTO 52)	HE-52252	299.90
COMPLETE (KOR)	HE-KØR252	699.90
COMPLETE (KORD)	HE-KØRD252	699.90
COMPLETE (KORS)	HE-KØRS252	719.90
COMPLETE (M-SERIES)	HE-MØ252	449.95
COMPLETE (S/M 72)	HE-72252	699.90
COMPLETE (S/M 102)	HE-102252	719.90
COMPLETE (SORDZ)	HE-SØRDZ252	799.90
COMPLETE (SORKZ)	HE-SØRKZ252	599.90
COMPLETE (SORZ)	HE-SØRZ252	621.90
COMPLETE (TOK)	HE-TØ252	249.90
(A) UPPER CLAMP (GTO 46)	HE-46258	158.90
(A) UPPER CLAMP (GTO 52)	HE-52258	158.90
(A) UPPER CLAMP (KOR)	HE-KØR258	349.90
(A) UPPER CLAMP (KORD)	HE-KØRD258	349.90
(A) UPPER CLAMP (KORS)	HE-KØRS258	379.90
(A) UPPER CLAMP (M-SERIES)	HE-MØ258	320.00
(A) UPPER CLAMP (S/M 72)	HE-72258	349.90
(A) UPPER CLAMP (S/M 102)	HE-102258	379.90
(A) UPPER CLAMP (SORDZ)	HE-SØRDZ258	462.90
(A) UPPER CLAMP (SORKZ)	HE-SØRKZ258	339.90
(A) UPPER CLAMP (SORZ)	HE-SØRZ258	351.90
(A) UPPER CLAMP (TOK)	HE-TØ258	124.90
(B) LOWER CLAMP (GTO 46)	HE-46256	158.90
(B) LOWER CLAMP (GTO 52)	HE-52256	158.90
(B) LOWER CLAMP (KOR)	HE-KØR256	349.90
(B) LOWER CLAMP (KORD)	HE-KØRD256	349.90
(B) LOWER CLAMP (KORS)	HE-KØRS256	379.90
(B) LOWER CLAMP (M-SERIES)	HE-MØ256	320.00
(B) LOWER CLAMP (S/M 72)	HE-72256	349.90
(B) LOWER CLAMP (S/M 102)	HE-102256	379.90
(B) LOWER CLAMP (SORDZ)	HE-SØRDZ256	462.90
(B) LOWER CLAMP (SORKZ)	HE-SØRKZ256	339.90
(B) LOWER CLAMP (SORZ)	HE-SØRZ256	351.90
(B) LOWER CLAMP (TOK)	HE-TØ256	124.90
(C) SPRING	P-12319	.65
(D) SCREW	P-2009	.55
(D) SCREW (S/M 72 & 102 ONLY)	P-2010	.55

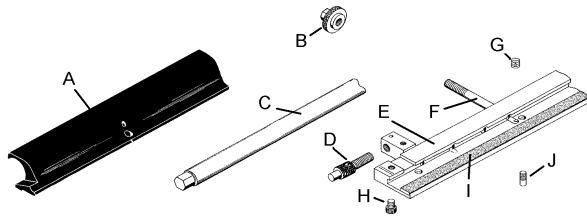


PLATE CLAMP ASSEMBLY - TAIL EDGE

	PART NO.#	PRICE
GTO 46 Complete	HE-46367	549.90
GTO 52 Complete	HE-52367	569.90
(A) Upper clamp - GTO 46	HE-46359	112.90
(A) Upper clamp - GTO 52 (left hand)	HE-52359-L	64.95
(A) Upper clamp - GTO 52 (right hand)	HE-52359-R	64.95
(B) Knurled adjusting nut	P-2949	24.90
(C) Eccentric shaft - GTO 46	HE-46435	52.90
(C) Eccentric shaft 0 GTO 52	HE-52435	52.90
(D) Adjusting stud	P-7198	19.50
(E) Lower clamp - GTO 46	HE-46353	164.90
(E) Lower clamp - GTO 52	HE-52353	169.90
(F) Threaded stud	P-9138	9.90
(G) Spring	P-12909	2.90
(H) Screw	P-2418	.85
(I) Metal strip - GTO 46	HE-46353-M	34.90
(I) Metal strip - GTO 52	HE-52353-M	34.90
(J) Set screw	P-2508	.45

PART NO.# PRICE

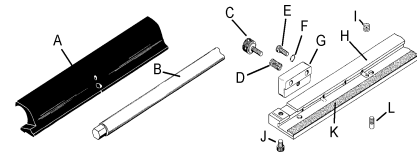


PLATE CLAMP ASSEMBLY - LEAD EDGE

	PART NO.#	PRICE
GTO 46 Complete	HE-46788	462.90
(A) Upper clamp	HE-46359	112.90
(B) Eccentric shaft	HE-46435	52.90
(C) Thumb screw	P-2917	7.95
(D) Spring	HE-46896	.75
(E) Screw	P-2101	.50
(F) Washer	P-5519	.30
(G) Adjusting bracket	HE-46755	27.95
(H) Lower clamp	HE-46353	164.90
(I) Spring	P-12909	2.90
(J) Screw	P-2418	.85
(K) Metal strip	HE-46353-M	34.90
(L) Set screw	P-2508	.45

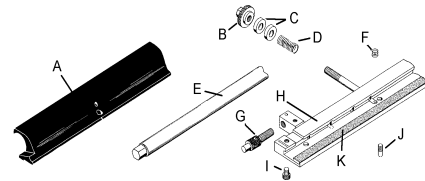


PLATE CLAMP ASSEMBLY - LEAD EDGE

	PART NO.#	PRICE
GTO 52 Complete	HE-52788	569.90
(A) Clamp	HE-52359	122.90
(B) Knurled adjusting nut	P-2949	24.90
(C) Spacer	P-6843	6.95
(D) Spring	P-12148	.75
(E) Eccentric shaft	HE-52435	52.90
(F) Spring	P-12909	2.90
(G) Adjusting stud	P-7198	19.50
(H) Lower clamp	HE-52353	169.90
(I) Screw	P-2418	.85
(J) Set screw	P-2508	.45
(K) Metal strip	HE-52353-M	34.90

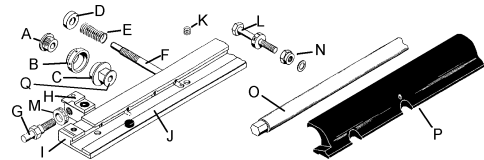
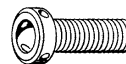


PLATE CLAMP ASSEMBLY - Lead edge, blanket cleaner

	PART NO.#	PRICE
GTO 52 Complete	HE-52788-BC	779.90
(A) Collar	P-6725	81.90
(B) Collar scale	P-6726	83.90
(C) Adjustment holder	HE-52351	42.95
(D) Spacer cam	P-6843	6.95
(E) Spring	P-12148	.75
(F) Threaded stud	P-9137	12.90
(G) Adjusting stud	P-7199	6.90
(H) Adjusting block	HE-52755	27.90
(I) Lower clamp	HE-52353	169.90
(J) Metal strip	HE-52353-M	34.90
(K) Spring	P-12909	2.90
(L) Hex head screw	P-2089	24.90
(M) Ring scale	P-6724	81.90
(N) Nut	P-2634	5.50
(O) Eccentric shaft	HE-52435	52.90
(P) Clamp	HE-52359	122.90



CLAW For blanket clamp HE-46390 5.95



THREADED BUSHING For plate cylinder GTO 46 & 52 HE-46329 59.90

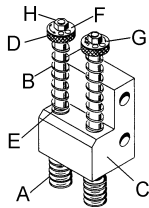


TRIP BLOCK For plate cam GTO 52 HE-52391 3.60

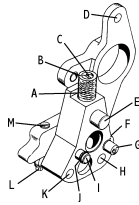
THIS IS JUST A SAMPLE OF OUR TOTAL INVENTORY

Replacement parts for: HEIDELBERG

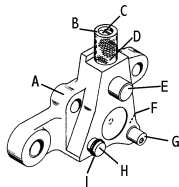
	PART #	PRICE
	INK DISTRIBUTOR RUNNER WINDMILL 10x15 HE-WI466	17.90
	DISTRIBUTOR ROLLER GEAR GTO 46 & 52 HE-52534	129.90
	ADJUSTING GEAR For distributor roller KORD 64 HE-KØRD516	139.90
	BEARING SLEEVES For GTO 46 & 52 Water oscillator (NOS) HE-52432 169.90 Water oscillator (OS) HE-52436 169.90 Upper steel oscillator (OS) HE-52476 169.90 Steel osc. - 2nd. from top HE-52496 169.90 Ink distributor (NOS) HE-52494 169.90 Ink osc./dist.- front & rear HE-52548 169.90	



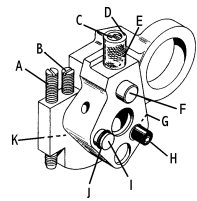
DAMPENING ROLLER ADJUSTMENT BLOCK		
Complete	HE-KØR416	142.90
(A) Gear shaft	HE-KØR304	69.90
(B) Spring	HE-KØR328	1.90
(C) Bracket	HE-KØR418	69.90
(D) Knurled nut	P-2946	8.90
(E) E-ring	P-2754	.40
(F) Decal washer	P-7464	4.95
(G) Decal washer	P-7465	4.95
(H) Nut	P-2603	.40

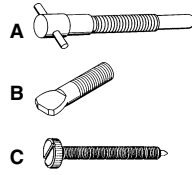


LOWER DAMPENING BEARING SUPPORT		
GTO 46 & 52 D.S. GREEN - Complete	HE-46415	499.90
GTO 46 & 52 O.S. GREEN - Complete	HE-46400	499.90
(A) Spring (inside handle "B")	HE-46896	.75
(B) Handle	P-7174	24.90
(C) Shoulder screw	P-8171	9.95
(D) Dowel pin	P-3132	4.50
(E) Trunnion stud	P-7173	20.90
(F) Set screw (to hold "G")	P-2501	.50
(G) Eccentric stud	P-7163	45.35
(H) Grooved pin	P-2899	4.50
(I) Grooved pin with o-ring	P-4780	11.90
(J) O-ring (comes with P-4780)	P-5330	.90
(K) Brass stud	P-7174	24.90
(L) Nut	P-2601	.40
(M) Screw (for brass stud)	P-6530	14.90



UPPER DAMPENING BEARING SUPPORT		
GTO 46 & 52 D.S. Complete	HE-46344	349.90
GTO 46 & 52 O.S. Complete	HE-46346	349.90
(A) Support only	HE-46350	149.90
(B) Handle	P-7214	17.00
(C) Shoulder screw	P-8171	9.95
(D) Spring (inside handle "B")	HE-46896	.75
(E) Trunnion stud	P-7173	20.90
(F) Set screw (to hold "G")	P-2501	.50
(G) Eccentric stud	P-7163	45.35
(H) Dowel pin with o-ring	P-4780	11.90
(I) O-ring (comes with P-4780)	P-5330	.90

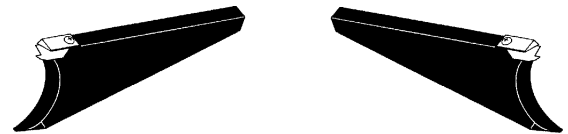
	PART #	PRICE
	BEARING SUPPORTS GTO 46 D.S. - RED / O.S. - YELLOW, GTO 52 D.S. - RED COMPLETE HE-46558	399.90
	GTO 46 & 52 D.S. - YELLOW / O.S. - RED COMPLETE HE-46614	399.90
	(A) Set screw P-2538	Not Sold Alone
	(B) Set screw P-8171	1.30
	(C) Shoulder screw P-7214	9.95
	(D) Handle P-7214	17.00
	(E) Spring (inside handle "D") P-7173	Not Sold Alone
	(F) Trunnion stud P-2501	20.90
	(G) Set screw (to hold "H") P-7163	.50
	(H) Eccentric stud P-4780	45.35
	(I) Dowel pin with o-ring P-5330	11.90
	(J) O-ring (comes with P-4780) P-152422	.90
	(K) Spring (underneath "B")	1.95



INK BLADE ADJUSTING SCREWS		
(A) K-Series	P-2929	20.90
(B) GTO 46/52, M/S Series, Spdmstr 72	P-2928	24.15
TOK	P-2021	5.25




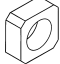


INK FOUNTAIN BLADES		
WINDMILL 10x15 (37.6 cm x 10.1 cm)	HE-WI095-15	279.90
WINDMILL 13x18 (48.0 cm x 10.1 cm)	HE-WI095-18	399.00
GTO 46 (45.3 cm x 8.4 cm)	HE-46095	349.90
GTO 52 (51.3 cm x 9.4 cm)	HE-52095	349.90
KOR (58 cm x 10.1 cm)	HE-KØR095	599.90
KORD 64 (67.1 cm x 10.1 cm)	HE-KØRD095	331.90
KORS (74.2 cm x 10.1 cm)	HE-KØRS095	331.90
M Series (66.2 cm x 12.9 cm)	HE-MØØ95	449.90
SORDZ (90.1 cm x 11.7 cm)	HE-SØRDZ095	599.90
SORM (73.0 cm x 11.7 cm)	HE-SØRM095	699.90
SORMZ (73.1 cm x 17.5 cm)	HE-SØRMZ095	699.90
SORZ (83.1 cm x 11.8 cm)	HE-SØRZ095	599.90
SORKZ (66.0 cm x 11.8 cm)	HE-SØRKZ095	599.90
SORSZ (103.1 cm x 17.5 cm)	HE-SØRSZ095	985.90
TOK, TOM (27.6 cm x 7.1 cm)	HE-TØ095	241.90
QUICKMASTER 46 (33.6 cm x 7.1 cm)	HE-46079QM	219.90

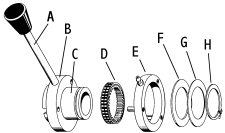




INK FOUNTAIN STOP PLATES		
Speedmaster 72 - Set of OS & NOS	HE-72566	150.95
Plate with hickey picker (O.S.)	HE-72024	119.25
Plate with hickey picker (N.O.S.)	HE-72226	119.25
Plate only (O.S. & N.O.S.)	HE-72792	90.25
Speedmaster 102 - Set of OS & NOS	HE-102566	155.95
Plate with hicket picker (O.S.)	HE-102024	91.50
Plate with hickey picker (N.O.S.)	HE-102226	91.50
Plate only (O.S.)	HE-102027	68.55
Plate only (N.O.S.)	HE-102227	68.55
Spring plate for 72 & 102 (O.S.)	HE-72261	7.90
Spring plate for 72 & 102 (N.O.S.)	HE-72082	7.90
Hickey picker for 72 & 102	P-31108	.55

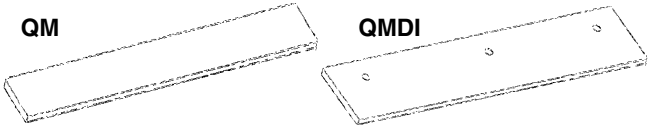
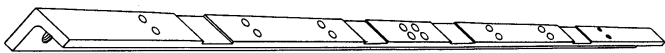
THIS IS JUST A SAMPLE OF OUR TOTAL INVENTORY


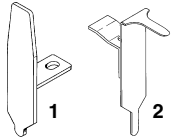
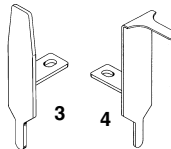
Replacement parts for: HEIDELBERG

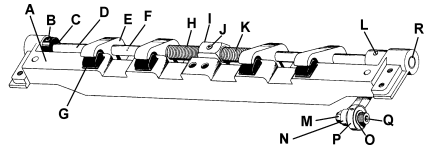
	PART NO.#	PRICE
	WATER TROUGH END SUPPORT KOR HE-KØR10102	13.90
	PLASTIC WATER FOUNTAIN ROLLER BEARING KOR HE-KØR10104	2.50
	WATER FOUNTAIN HOSE CLAMP K-Series HE-KOR347	32.95
	WATER FOUNTAIN TRAYS (from left to right) TOM, TOK GTO 46 Old style (ser # 650058-654211) GTO 46 New style (ser # 656798-698328)	HE-TØ316 192.05 HE-46316-OS 159.90 HE-46316-NS 159.90

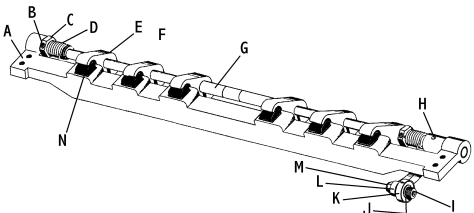
	OVER RUNNING CLUTCH LEVER ASSEMBLY - GTO 46 & 52	
Complete - Ink unit	HE-46259	489.90
(A) Lever & knob assembly	P-320416	39.90
(B) Collar - without pins	P-6785	44.75
(C) Bearing race	HE-46261	42.95
(D) One way clutch bearing	P-3454	318.90
(E) Collar - with pins	P-6784	49.95
(F) Washer - bearing retainer	P-2720	1.95
(G) Belleville washer	P-11833	6.95
OVER RUNNING CLUTCH ASSEMBLY - GTO 46 & 52		
Complete (INK)	HE-52226	298.90
Complete (WATER)	HE-52370	298.90
(A) Sleeve	HE-52226-S	73.95
(B) One way clutch bearing	P-3458	89.90
(C) Housing only	(Not Sold Alone)	-----
(D) Pin	P-4792	1.65
(E) Washer	P-2720	1.95
(F) Retaining ring	P-10752	1.10

	WATER CLUTCH ASSEMBLY - GTO 46 & 52 HE-46418	169.90
	SELECTOR SAFETY LEVER HE-KØR688	58.90

	QM QUICKMASTER QUICKMASTER DI	P-11739 3.25 P-11740 6.75
	ANGLE - For paper stripper GTO 46 & 52	HE-462301 199.90

	PART NO.#	PRICE
	STRIPPER FINGER For chain delivery HE-KS15112	2.90
	GUIDE STRAP GTO 46 HE-462281	24.90
	SHEET STOPS	
1) KORD 62 for ser. #335790 & below, otherwise use HE-KØRD2282-64.	HE-KØRD2281-62	32.90
2) KORD 62 & 64 for ser. #335791 & above, otherwise use HE-KØRD2282-62.	HE-KØRD2282-62	32.90
3) KORD 64	HE-KØRD2281-64	32.90
4) KORD 64 for ser. #335791 and above, otherwise use HE-KØRD2282-62.	HE-KØRD2282-64	32.90

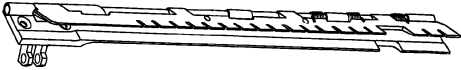
	GRIPPER BAR ASSEMBLY - TOK	
Complete	HE-T00990	429.90
(A) Anvil	HE-T01090	179.90
(B) Set screw	P-2506	.45
(C) Collar	P-6728	3.80
(D) Shaft	HE-T01060	39.90
(E) Gripper finger	HE-T01020	14.90
(F) Cap screw	P-2112	.30
(G) Gripper pad	P-11904	2.95
(H) Gripper spring	HE-T01085	1.90
(I) Tension collar	P-6734	16.90
(J) Set screw	P-2512	.50
(K) Gripper spring	HE-T01080	1.90
(L) Taper pin	P-2810	.90
(M) Stop nut	P-2610	.90
(N) Gripper operating lever	HE-T01041	14.90
(O) Washer	P-580	.40
(P) Ball bearing	P-11113	14.95
(Q) Screw	P-2103	.40
(R) Bushing	P-3239	2.95


	GRIPPER BAR ASSEMBLY - QUICKMASTER 46 & 46DI	
COMPLETE	HE-460990QM	429.90
(A) Anvil (comes with P-5631 "N")	HE-461090QM	289.90
(B) Set screw	P-2506	.45
(C) Adjusting collar	P-6858	34.90
(D) Gripper spring	HE-461080QM	8.90
(E) Delivery gripper	HE-461020QM	22.90
(F) Screw	P-2112	.30
(G) Gripper shaft	HE-461060QM	61.95
(H) Taper pin	P-2810	.90

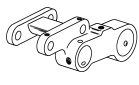
GRIPPER LEVER ASSEMBLY (Consists of I thru M - also included with complete assembly)	HE-461040QM	61.95
• (I) Screw	P-2103	.40
• (J) Washer	P-5569	.60
• (K) Ball bearing	P-11113	14.95
• (L) Gripper lever only	HE-461041QM	19.90
• (M) Stop nut	P-2610	.90
• (N) Rubber pad	P-5631	3.90


THIS IS JUST A SAMPLE OF OUR TOTAL INVENTORY

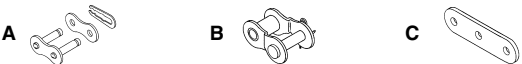
Replacement parts for: HEIDELBERG


	PART #	PRICE
		
GRIPPER BAR ASSEMBLY - WINDMILL		
Complete 10 X 15	HE-WI0990-15	499.90
Complete 13 X 18	HE-WI0990-18	599.90
★★★ Designed to fit both left and right hand sides.		

	PART #	PRICE
		
GRIPPER CHAINS		
TOK (as a set)	HE-T01100	116.90
GTO 46 / 52 (as a set)	HE-521100	199.90
KOR	HE-KØR1100	1,499.90
KORD	HE-KØRD1100	1,499.90
KORS	HE-KØRS1100	1,499.90
SPEEDMASTER 72	HE-721100	199.90
SORD	HE-SØRD1100	199.90
QUICKMASTER 46	HE-461100QM	249.90

	PART #	PRICE
		
GRIPPER BAR ASSEMBLY CARRIER LINKS		
SPEEDMASTER 72 & 102		
Complete (oper. side)	HE-720991	271.95
Complete (non-oper. side)	HE-720992	271.95
(A) Link only (oper. side)	HE-720991-L	152.95
(A) Link only (non-oper. side)	HE-720992-L	152.95
(B) Inner chain link	P-8715	33.95
(C) Needle bearing	P-3461	7.60
(D) Dowel pin	P-2898	2.25
(E) Grease fitting	P-3672	.95

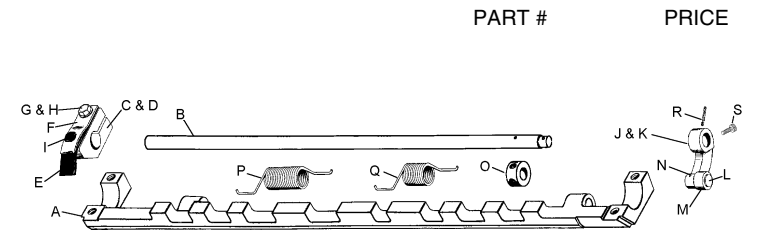
	PART #	PRICE
		
CARRIER LINKS - K/M Series		
(A) M-Series - wide attachment	P-8739	41.95
(B) M-Series - short attachment	P-8740	41.95
(C) K-Series - operators side	P-8732	41.95
(C) K-Series - non-operators side	P-8742	41.95
(D) Star rod carrier link (K/S)	P-8734	41.95

	PART #	PRICE
		
GRIPPER CHAIN CONNECTING LINKS		
(A) KOR, KORD, KORS / M-Series	P-8761	8.50
(B) KOR, KORD, KORS (offset link)	P-8762	12.70
(C) Connecting plate	P-8712-P	7.95

	PART #	PRICE
		
STAR ROD ASSEMBLIES		
GTO 52	HE-523170	19.90
KOR, KORA, KORD 62	HE-KØRD3170-62	72.90
KORD 64	HE-KØRD3170-64	92.90
M (series)	HE-MØ3170	59.90
SORZ	HE-SR3170	39.90
SORKZ	HE-SK3170	82.90
SORMZ / SPEEDMASTER 72	HE-SM3170	57.75
SORDZ	HE-SD3170	82.90
SORSZ / SPEEDMASTER 102	HE-SS3170	82.90


	PART #	PRICE
		
STAR ROD BRUSH ASSEMBLY		
Brush only	P-30842	9.90
Collar only	P-30842-B	8.25
Rubber O-ring	P-30842-C	4.60
	P-553	.40

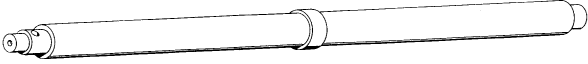
	PART #	PRICE
		
SHEET SMOOTHER PLATE SPRING		
SORZ, SORDZ, SORSZ	HE-SØ588	18.90




	PART #	PRICE
GRIPPER BAR ASSEMBLIES - GTO 46/52, K-Series		
Complete (GTO 46)	HE-460990	799.90
Complete (GTO 52)	HE-520990	819.90
Complete (KOR, KORA, KORD 62)	HE-KØR0990	999.90
Complete (KORD 64)	HE-KØRD0990	1,199.90
Complete (KORS)	HE-KØRS0990	1,499.90
(A) Anvil (GTO 46)	HE-461090	429.90
Anvil (GTO 52)	HE-521090	449.90
Anvil (KOR, KORA, KORD 62)	HE-KØR1090	499.90
Anvil (KORD 64)	HE-KØRD1090	499.90
Anvil (KORS)	HE-KØRS1090	599.90
(B) Shaft (GTO 46)	HE-461060	59.95
Shaft (GTO 52)	HE-521060	59.95
Shaft (KOR, KORA, KORD 62)	HE-KØR1060	99.90
Shaft (KORD 64)	HE-KØRD1060	99.90
Shaft (KORS)	HE-KØRS1060	99.90
(C) *Holder assembly	HE-521000	39.90
(D) **Holder	HE-521061	23.95
(E) **Finger with urethane	HE-521020	8.95
(F) **Backing plate	HE-521062	1.95
(G) **Holding screw	P-2003	.50
(H) **Belleville washer	P-651	.80
(I) **Shoulder screw	P-8161	4.90
(J) *Arm assembly (GTO 46 & 52)	HE-521040	99.90
*Arm assembly (KOR, KORA, KORD62)	HE-KØR1040	99.90
*Arm assembly (KORS, KORD 64)	HE-KØRD1040	99.90
(K) **Arm only (GTO 46 & 52)	HE-521041	59.95
**Arm only (KOR, KORA, KORD62)	HE-KØR1041	69.95
**Arm only (KORS, KORD 64)	HE-KØRD1041	69.90
(L) **Cam roller stud (GTO 46&52)	P-7159	15.90
**Cam roller stud (K series)	P-7169	19.90
(M) **Cam roller (GTO 46 & 52)	P-11179	38.90
**Cam roller (K series)	P-6840	29.90
(N) **Pin (GTO 46 & 52)	P-373	.40
**Pin (K series)	P-1894	.40
(O) Collar	P-6739	11.90
(P) Spring (GTO 46 & 52)	HE-521080	3.95
(Q) Spring (GTO 52)	HE-521085	3.95
(R) Pin	P-2834	.40
(S) Screw (K series)	P-2101	.30

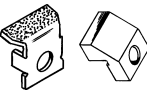
*indicates a sub-assembly. **indicates components of a sub-assembly.
Note: Item (B) Shaft must be taper reamed for pins in field.

	PART #	PRICE
		
GRIPPER BAR OPERATING LEVER		
SPEEDMASTER 72 & 102	HE-721040	229.50

	PART #	PRICE
		
GRIPPER SUPPORTING SHAFT		
SPEEDMASTER 72 ONLY	HE-721060	294.90


	PART #	PRICE
		
GRIPPER PAD SHAFT		
SPEEDMASTER 72 ONLY	HE-721090	327.90

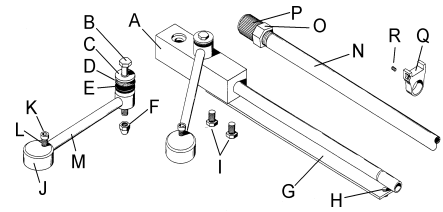
	PART #	PRICE
		
CENTER PIVOT BEARING HOUSING		
SPEEDMASTER 72 & 102	HE-721092	97.90

	PART #	PRICE
		
GRIPPER PADS - SPEEDMASTER 72 & 102		
For ultraviolet & infrared dryers	HE-721061-U	27.90
For standard	HE-721061	21.90

THIS IS JUST A SAMPLE OF OUR TOTAL INVENTORY

Replacement parts for: HEIDELBERG

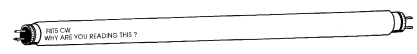
	PART NO.#	PRICE
 GRIPPER FINGER - GTO 46/52, K-Series w/o Urethane with Urethane	HE-521050	1.45
	HE-521020	8.95



	PART NO.#	PRICE
POWDER TUBE ASSEMBLY		
Complete (short tube)	HE-KØR6030	499.90
Complete (long tube)	HE-KØR6040	499.90
Powder tube sub assy. (A - I)	HE-KØR6046	399.90
(A) Manifold	HE-KØR6050	89.90
(B) Screw	P-2044	.50
(C) Washer	P-592	.40
(D) Gasket	P-6422	.70
(E) Rubber washer	P-11036	3.40
(F) Lock nut	P-2616	1.10
(G) Powder tube guide	HE-KØR6051	49.90
(H) Stop screw	P-2351	.40
(I) Screw	P-2082	.40
Spray nozzle sub assy. (J - M)	HE-KØR6047	139.95
(J) Nozzle	HE-KØR6056	39.90
(K) Screw	P-2921	5.95
(L) Spring	P-15601	1.95
(M) Nozzle tube	HE-KØR6055	99.90
Powder tube sub assy. - short (N - R)	HE-KØR6035	89.90
Powder tube sub assy. - long (N - R)	HE-KØR6045	99.90
(N) Short tube (for HE-KØR6030)	HE-KØR6052	59.90
(N) Long tube (for HE-KØR6040)	HE-KØR6053	59.90
(O) Nut	P-2681	.70
(P) Compression nut with gasket	P-2941	24.95
(Q) Guide collar	HE-KØR6054	59.90
(R) Set screw	P-2499	.40



	PART NO.#	PRICE
POWDER TUBE NOZZLES		
GTO 46 & 52	HE-466056	29.90
WINDMILL	HE-WI6056	39.90




	PART NO.#	PRICE
8 Watt FLOURESCENT BULB	P-9743	7.50
14 Watt FLOURESCENT BULB		
KORD 64	P-9726	24.95



	PART NO.#	PRICE
CYLINDER JACKETS		
WINDMILL 10 X 15	P-30850	94.90
WINDMILL 13 X 18	P-30858	94.90
GTO 46	P-30851	45.90
GTO 52	P-30852	74.90
M-SERIES	P-30853	99.90
KORD 62	P-30854	159.90
KORD 64	P-30855	159.90
KOR	P-30859	159.90
KORA	P-30857	159.90
KORS	P-30856	159.90

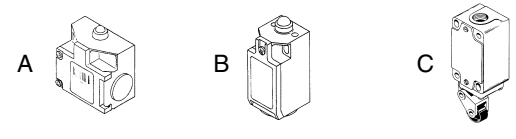
	PART NO.#	PRICE
BOWDEN CABLE		
WINDMILL	HE-WI3101	62.90

	PART NO.#	PRICE
DELIVERY TABLE CABLE		
K-Series	HE-KØ971	38.90

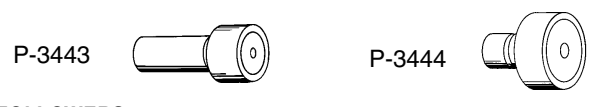
	PART NO.#	PRICE
 VARIABLE SPEED PULLEY For K-Series P-4291		1,199.90

ROLLERS FOR HEIDELBERG MODELS:
 10 X 15 WINDMILL, 12 X 18 WINDMILL, PLATEN, KORD 62, KORD 64, KOR, KORS, KORS, GTO 46, GTO 52, MO, MOV, MOZ, SOR, SORM, SORD, SORS, SP 72, SP 72 DRUPA, SP 102, SP 102 DRUPA, KSB, OH, SBB, SBBZ, SBGZ, (all color dampening rollers).

BLANKETS (4 PLY) FOR HEIDELBERG MODELS:
 TOK, GTO 46, GTO 52, KOR, KORA, KORD, KORD, MO, SORK-Z, SORM, SORM, KORS, SOR, SORD, RON, SPEEDMASTER.



	PART NO.#	PRICE
LIMIT SWITCHES		
(A) GTO 46/52, M/S Series, Speedmaster 72/102	P-9836	69.90
(B) GTO 46/52, M/S Series, Speedmaster 72/102	P-9837	59.90
(C) GTO 52, M-Series, Spdmst 102 (snap action)	P-9838	89.90
(C) M-Series (slow action)	P-9839	94.90



	PART NO.#	PRICE
CAM FOLLOWERS		
M-Series	HE-00-550-1223	P-3416 199.90
GTO 52	HE-00-550-1071	P-3418 279.90
	HE-00-550-1229	P-3439 28.90
GTO 46 / 52	HE-00-550-046	P-3441 79.90
M/S Series, Speedmaster 72 / 102	HE-00-550-0478	P-3442 119.90
S-Series, Speedmaster 72 / 102	HE-00-550-1089	P-3443 164.90
M/S Series, Speedmaster 72 / 102	HE-00-550-0322	P-3444 154.90
M-Series, Speedmaster 72 /102	HE-00-550-0462	P-3445 142.90
GTO 46 / 52	HE-00-550-0452	P-4368 29.90
K-Series	HE-S10151	P-6870 74.95
Speedmaster 102	HE-00-550-0675	P-6871 46.95

	PART NO.#	PRICE
FILTER SCREENS		
Windmill Platens	P-9410	9.95
GTO 46 & 52	P-9411	20.95
GTO 46/52,	P-9412	21.90
Silencer - GTO 46/52, K-Series	P-9413	84.90

	PART NO.#	PRICE
SLIP RING BRUSHES		
K-Series (shown)	P-9428	8.50
S-Series	P-9438	8.90
S-Series	P-9439	8.90
Paired Collector Brush	P-9429	39.90

	PART NO.#	PRICE
CARBON BRUSHES		
Carbon Brush	P-9431	42.90
Carbon Brush	P-9432	2.95
Speedmaster	P-9433	63.90
Speedmaster 102Z	P-9434	63.90
Speedmaster 102 (shown)	P-9435	63.90
Speedmaster 102V	P-9436	48.90
102D	P-9437	48.90
TOK/TOM (Motor)	P-9440	19.90

	PART NO.#	PRICE
Pump Vane	P-9444	49.90

THIS IS JUST A SAMPLE OF OUR TOTAL INVENTORY